

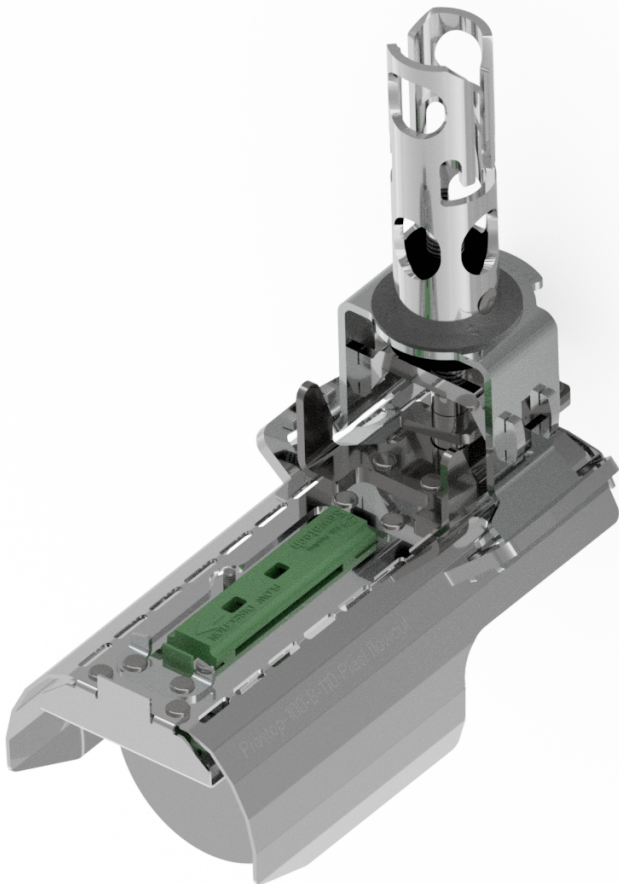
Overzicht

CAMRO PROSTOP Rottespærre, Flowcut, Ø100 Beton/Ø110 PVC, Indløb

Varenummer: 700058

Pris

Priser er ekskl. moms dertil kommer fragt



Beskrivelse

CAMRO PROSTOP® Flowcut rat blocker for Ø100 (concrete) or Ø110 (plastic) built for installation in the inlet direction. The latest version of PROSTOP features optimized flow capacity to further minimize the risk of blockages in the sewer.